

# Light Transmission Smoke Meter Opacimeter

OPACIMETER

MODEL **DEX-200**

## High Precision Opacimeter Measures Quickly and Accurately with Intuitive Remote Control Operation

Exhaust gas (black smoke) from diesel vehicles can be measured accurately. Particulate matter (PM) test is supported, and low concentration smoke can also be measured accurately.



**Speedy Measurement with Wireless Remote Control!**

**Shock of a Fall Is Absorbed! Remote Control Cover Comes as Standard**



**Compact wireless remote control**



**Display screen is linked with the operation keys!**

**Simple and Easy-to-understand Intuitive Operation**

Menu display guidance on you what to do next. One key operation speeds up measurement.

**Printer Can Be Selected**  
You can select with or without a printer according to your application at the time of purchase.

Japanese display

検査日	
車両No.	
車両型式	
*** 測定結果 ***	
しきい値	0.64 m <sup>-1</sup>
規制値	0.80 m <sup>-1</sup>
1回目	0.729 m <sup>-1</sup>
2回目	0.789 m <sup>-1</sup>
3回目	0.828 m <sup>-1</sup>
Ave	0.72 m <sup>-1</sup> 合格

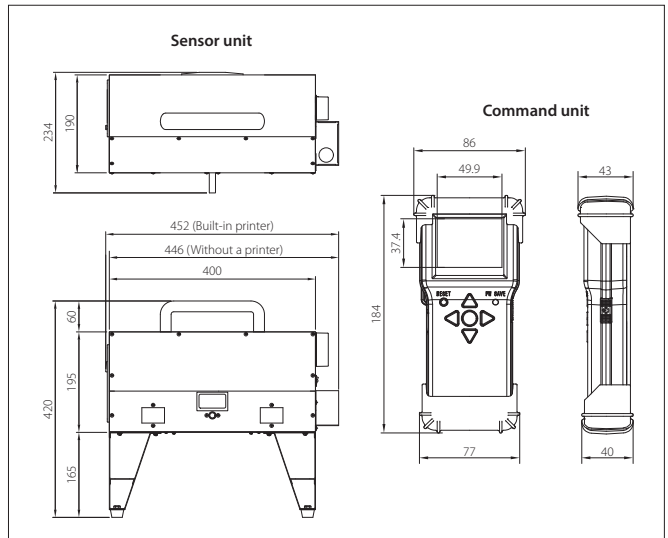
**Easy Maintenance**  
Powerful fan prevents dust from accumulating in the case. The air outlet on the front makes maintenance easy.

**Easy-to-read Color Display**  
The backlight makes it easy to read the screen in dark conditions.

## Product Configuration



## External Dimensions



## Specifications

Model		DEX-200	
Printing function		Built-in printer	Without a printer
Measurement principle		Light transmission method	
Sampling method		Shunt exhaust pressure method	
Measurement object		Particulate matter contained in the exhaust gas of diesel vehicles	
Measurement/indicating range	Optical absorption coefficient (m <sup>-1</sup> )	0~9.999	
Communication method		Wireless (Bluetooth 2.4 GHz band)	
Dimensions	Sensor unit (mm)	W452xD234xH420	W446xD234xH420
	Command unit (remote control) (mm)	W86xD43xH184	
Weight	Sensor unit (kg)	7.3	7.1
	Command unit (remote control) (kg)	0.2	
Power supply	Sensor unit (V)	AC100 (50/60Hz)	
	Command unit (remote control)	Rechargeable AA NiMH battery x2	
Warm-up time		3 minutes (above 20 °C) to 4 minutes (5 °C)	
Standard accessories		Probe assembly, power cord (3 m), command unit protector, fuse, roll paper (for built-in printer), recharger, rechargeable AA NiMH battery x4, instruction manual	

Before using this product, carefully read the precautions indicated by **⚠ DANGER**, **⚠ WARNING** and **⚠ CAUTION** in the manual supplied with this product to ensure correct use.

**ANZEN** 4-16-25 Shibaura, Minato-ku, Tokyo 108-0023  
 Phone: +81 3-5441-3412 Fax: +81 3-5441-8848  
 安全自動車株式会社 ANZEN website: <http://www.anzen.co.jp>