

WHEEL DOLLY



MODEL AWD-2009CL

Surely support suspension maintenance by high efficiency working.

With fork angle adjusting function.

Fork quick sliding method. Fork can be adjusted to fit tire size. Realized safety and speedy working.

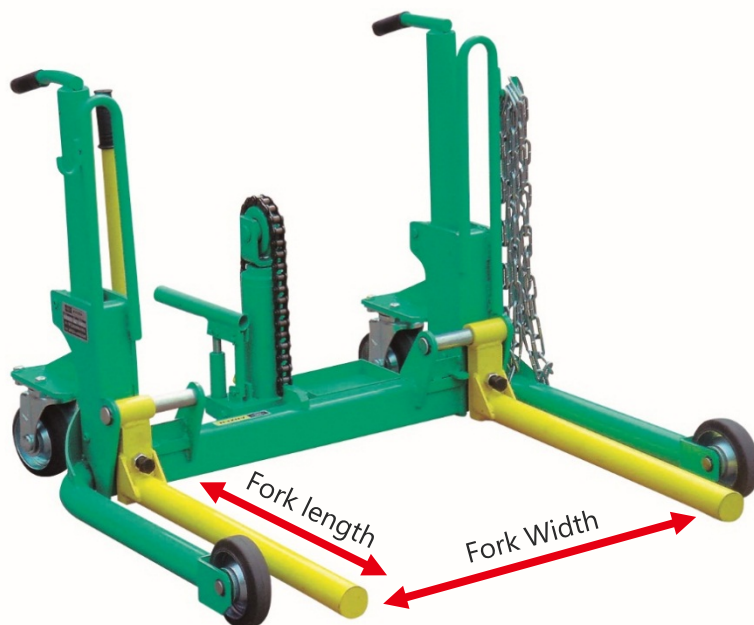
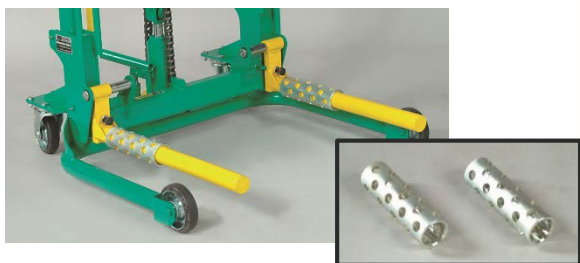
It's good convenience basic type.

- Capacity: 500kg
- Application tire diameter: 590 to 1,160mm
- Fork length: 596mm
- Fork width: 510 to 670mm

Option

Tire Support

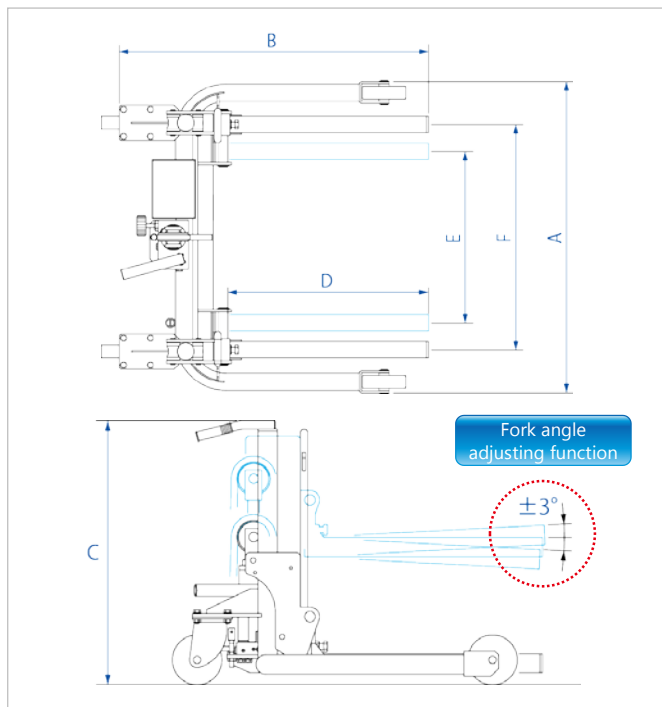
By make step on fork, it's easy to pull outer tire.



Specification

Outside drawing No.	Model	AWD-2009CL	
-	Capacity	(kg)	500
-	Application tire	(mm)	590 to 1,160
-	Lifting height	(mm)	305
A	Overall width	(mm)	925
B	Overall length	(mm)	920
C	Overall height	(mm)	690
D	Fork	Length	(mm) 596
E		Sliding width	(mm) 510 to 670
F		Min to Max height	(mm) 80 to 385
-		Angle	(°) ±3
-	Weight	(kg)	67

Outside drawing



ANZEN
安全自動車株式會社

4-16-25, Shibaura Minato-ku, TOKYO 108-0023, Japan
Phone: +81 3-5441-3412 / Fax: +81 3-5441-8848